

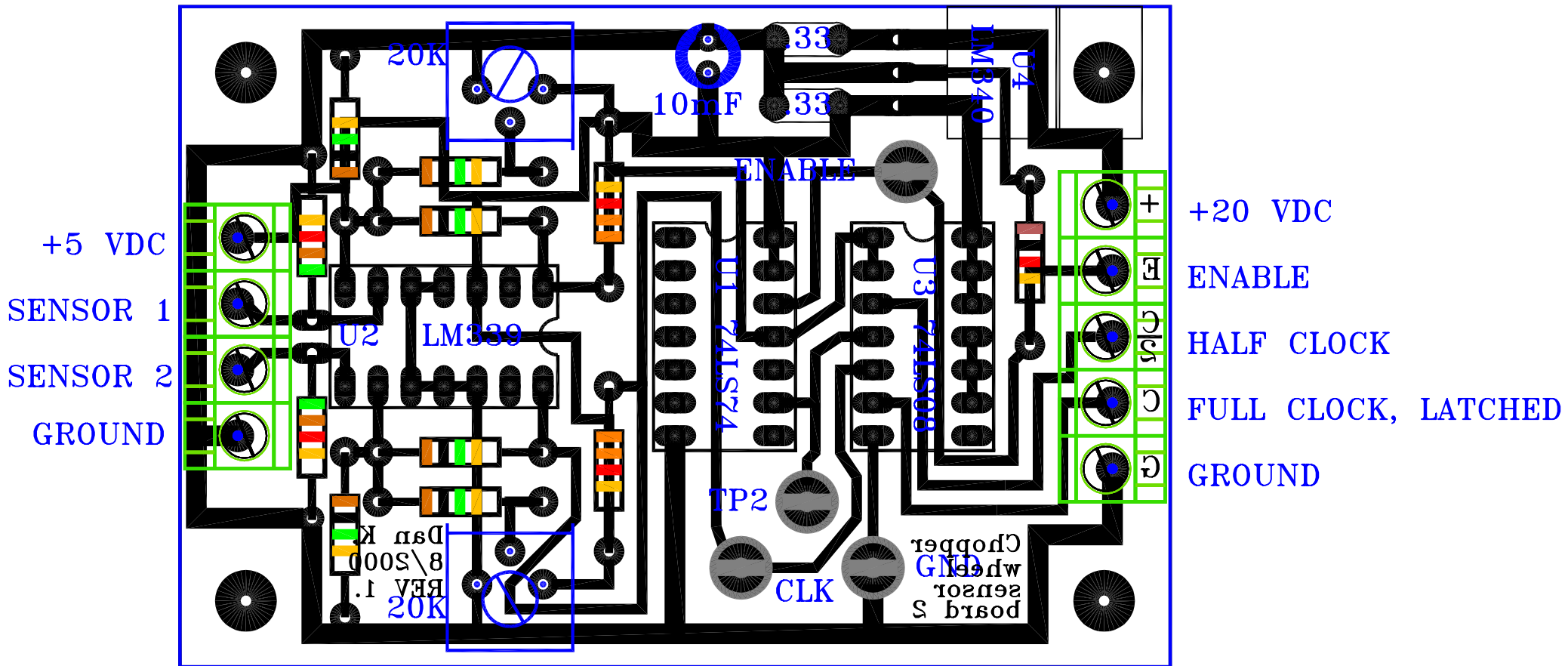
10	2000-10-24	JEE	Revisions to reflect Koller's as-built PCB
09	2000-08-24	JEE	More revisions to reflect Koller's PCB layout
08	2000-08-14	JEE	Revised to reflect Koller's PCB layout
07	2000-08-01	JEE	Added test points
06	1999-09-30	JEE	Changed pinouts of U3 and changed R2 to 1K
05	1999-09-13	JEE	Removed short between +/- comparator pins
04	1999-09-02	JEE	Added 5V regulator and digital I/O connector
03	1999-08-19	JEE	Corrected polarity of LED's
02	1999-08-04	JEE	Now uses Steve Muckle's design
01	1999-07-13	JEE	Updated based on early breadboard tests
Rev	Date	By	Description
National Radio Astronomy Observatory Charlottesville, VA 22903			
Title: Chopper Wheel Trigger Circuit			
File: F:\DOCS\RACK\JT2RACKA.DBF			
Design:	S. Muckle	1999-07-13	Size: B
Drawn:	JEE	1999-07-13	Page: 24 of 59
Dwg No:	Doc		Rev: 10

\\eagle\cv-cdl-sis\Docs\ChopperWheel\SensorPCB\snsrpcb2.dwg

Top view of board

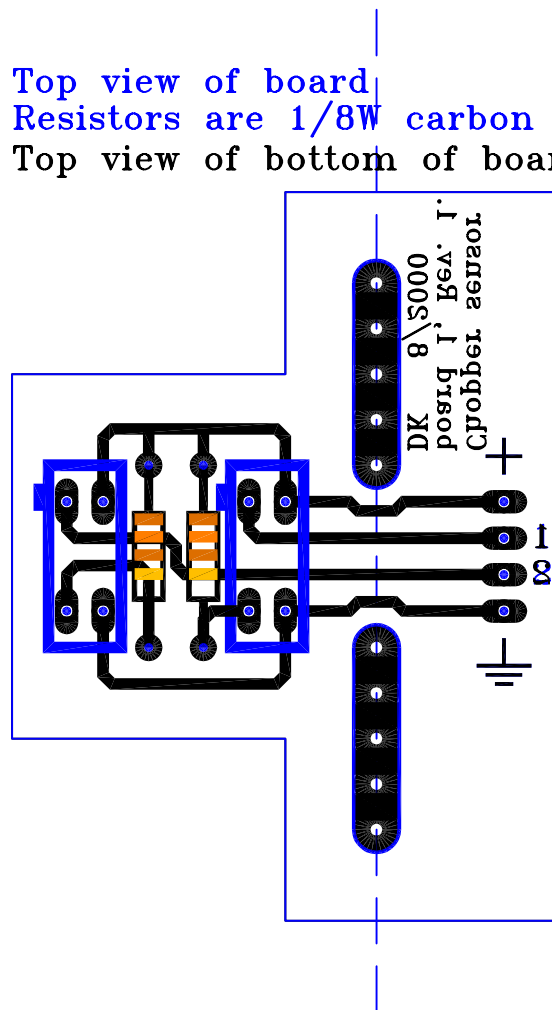
Resistors are 1/8W carbon

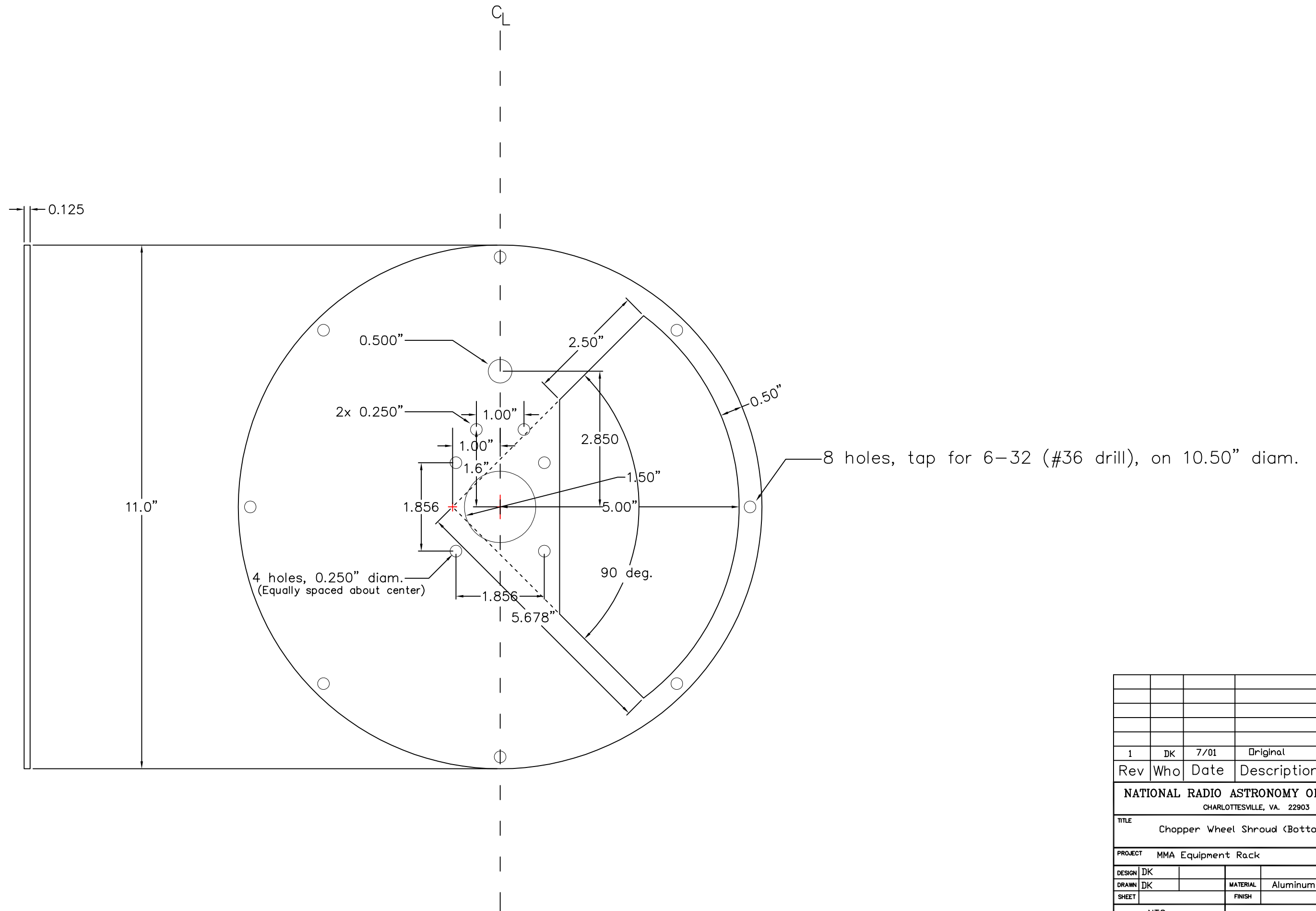
Top view of bottom of board.



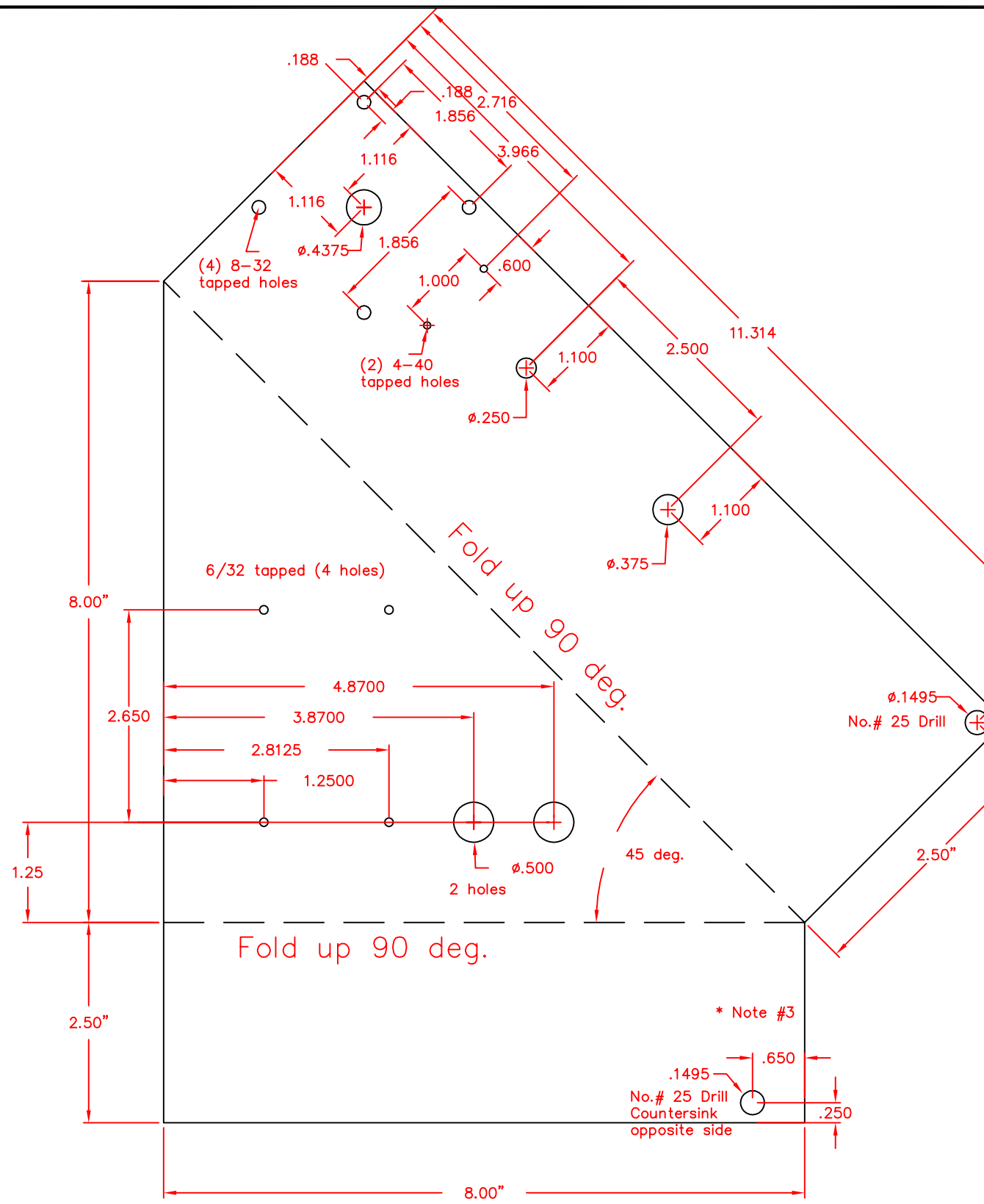
\\eagle\ce-cdl-sis\docs\ChopperWheel\SensorPCB\SensPCB.dwg

Top view of board
Resistors are 1/8W carbon
Top view of bottom of board.





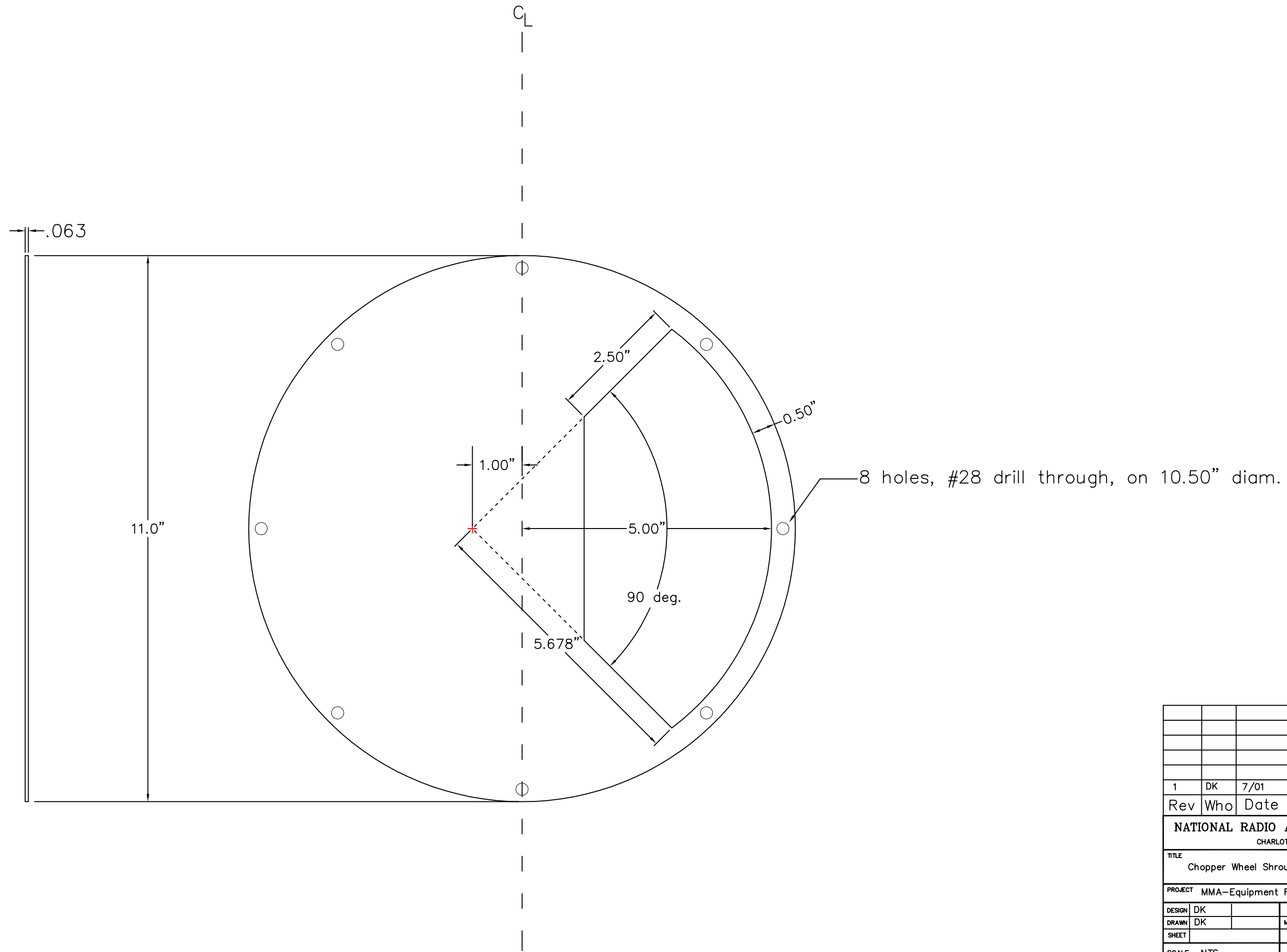
1	DK	7/01	Original
Rev	Who	Date	Description
NATIONAL RADIO ASTRONOMY OBSERVATORY CHARLOTTESVILLE, VA. 22903			
TITLE Chopper Wheel Shroud (Bottom)			
PROJECT MMA Equipment Rack			
DESIGN	DK		
DRAWN	DK		MATERIAL Aluminum Sheet
SHEET			FINISH
SCALE	NTS		REVISION 1
Computer Drawing File:\\Eagle\cv-cdl-sis\Kirk\Chopper\D417M013.dwg			



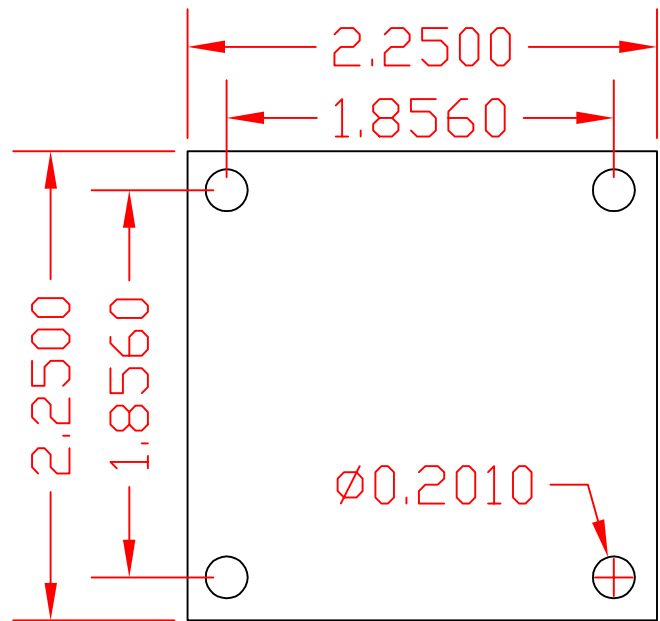
- Notes:
1. Use 1/8" aluminum sheet
 2. Preserve inside dimensions
 - 3 6/32 free fit countersunk on the bottom of plate.

1	RG	7/01	Added holes & dim's
Rev	Who	Date	Description
NATIONAL RADIO ASTRONOMY OBSERVATORY			
CHARLOTTESVILLE, VA. 22903			
TITLE			
Chopper Motor Frame Assy.			
PROJECT MMA—Equipment Rack			
DESIGN	DK		
DRAWN	DK	MATERIAL	Aluminum Sheet
SHEET		FINISH	
SCALE	NTS		REVISION
			1
Computer Drawing			
File: \\Eagle\cv-cdl-sis\Kirk\Chopper\C417M012.dwg			

* Note #3
 No. # 25 Drill
 Countersink
 opposite side

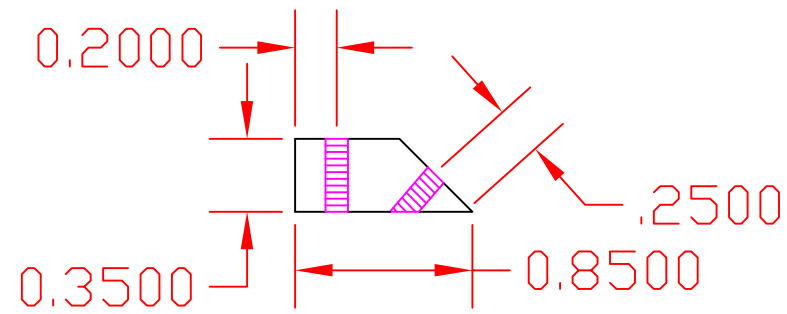


1	DK	7/01	Original
Rev	Who	Date	Description
NATIONAL RADIO ASTRONOMY OBSERVATORY CHARLOTTESVILLE, VA. 22903			
TITLE Chopper Wheel Shroud (Top)			
PROJECT MMA-Equipment Rack			
DESIGN	DK		
DRAWN	DK		MATERIAL Aluminum Sheet
SHEET			FINISH
SCALE	NTS		REVISION 1
Computer Drawing File: \\Eagle\cv-cdl-sis\Kirk\Chopper\D417M015.dwg			

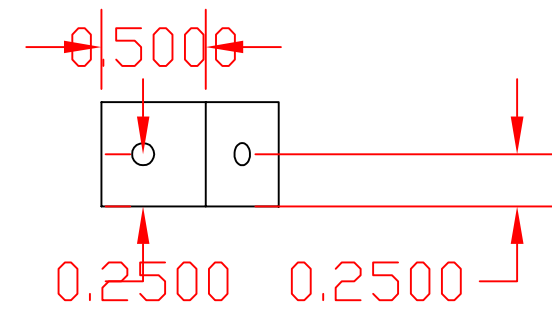


1/8" Aluminum
Motor Mount
Top View

(2) 6-32 holes
tapped thru
block



.350 Alum
Apex base
Side View



Apex Base
Top View

NATIONAL RADIO ASTRONOMY OBSERVATORY
CHARLOTTESVILLE, VA. 22903

TITLE
Chopper Motor Mount and Triangle Apex

PROJECT MMA Equipment Rack

DESIGN	DK	Date	7/01
DRAWN	RG	MATERIAL	Aluminum
SHEET		FINISH	

SCALE	NTS	DWG. NO.	040107M017-00	REVISION	1
-------	-----	----------	---------------	----------	---

Computer Drawing
File:\\Eagle\\cv-cdl-sis\\Kirk\\Chopper\\B417M017.dwg