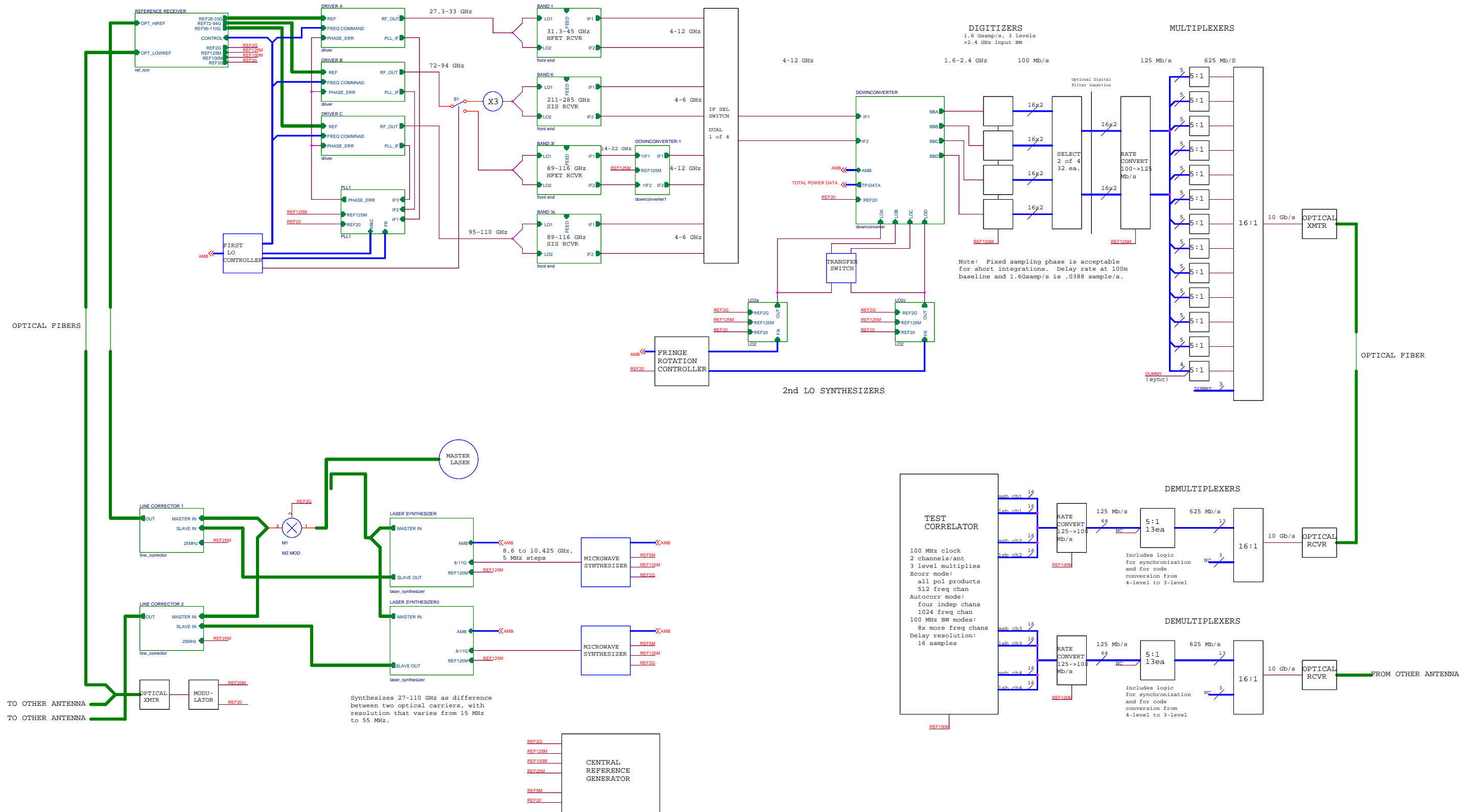


ALMA TEST INTERFEROMETER



NOTES:
 1. Many devices require connections to monitor and control bus. These will be shown on future versions of this schematic.
 2. Arrangement of components into hierarchical blocks on this schematic does not imply anything about the physical layout or packaging.