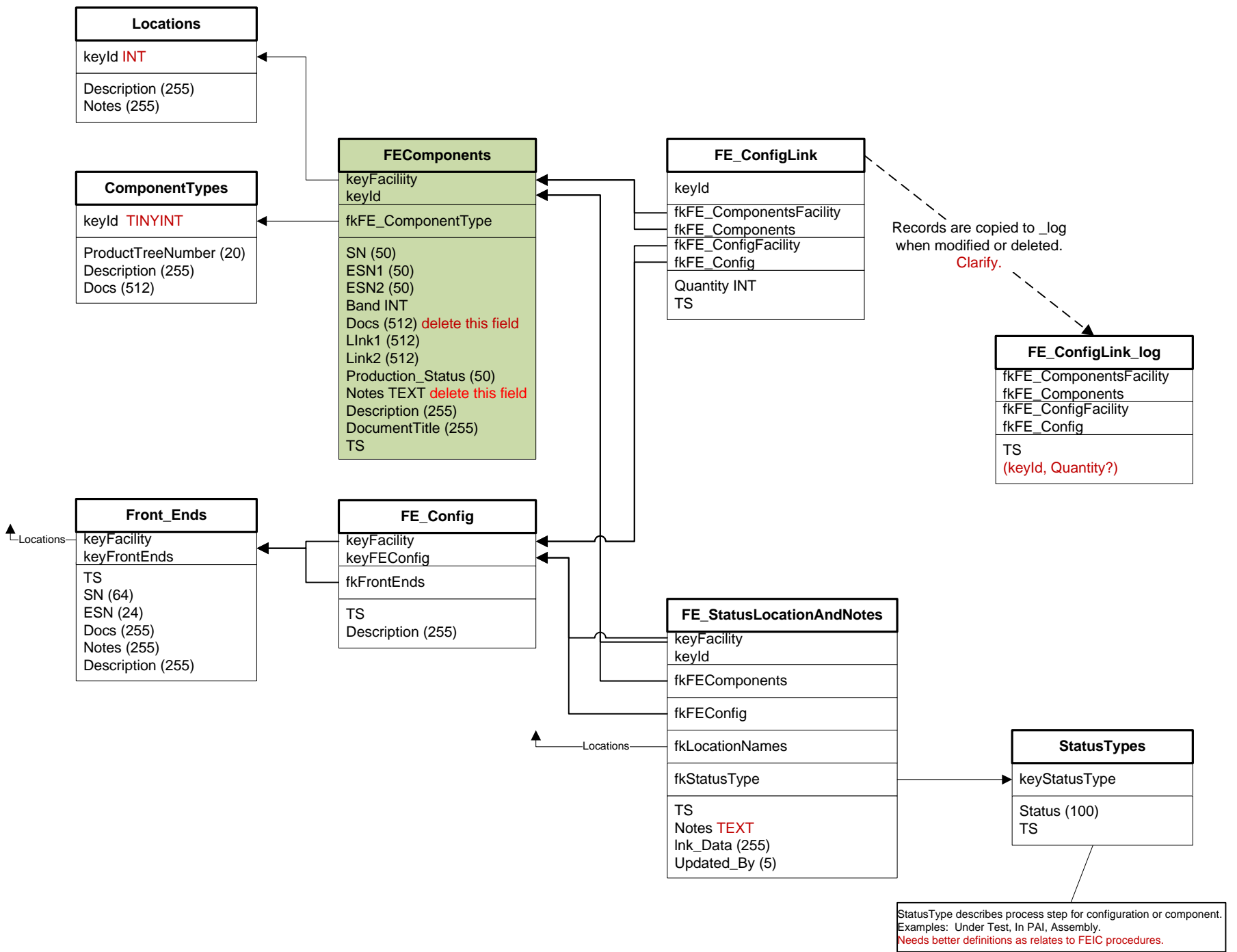
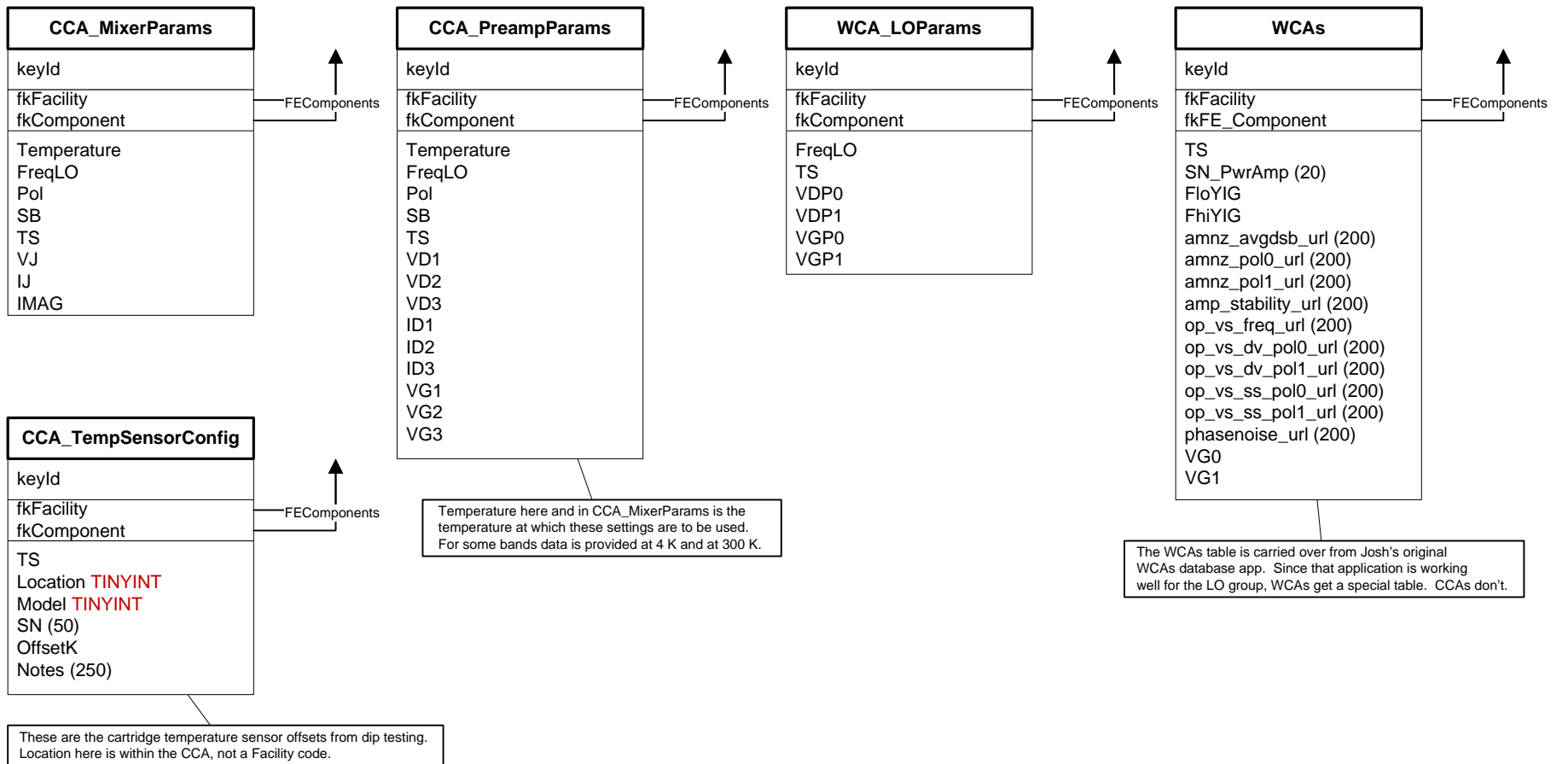


Components and Front End Configuration tables

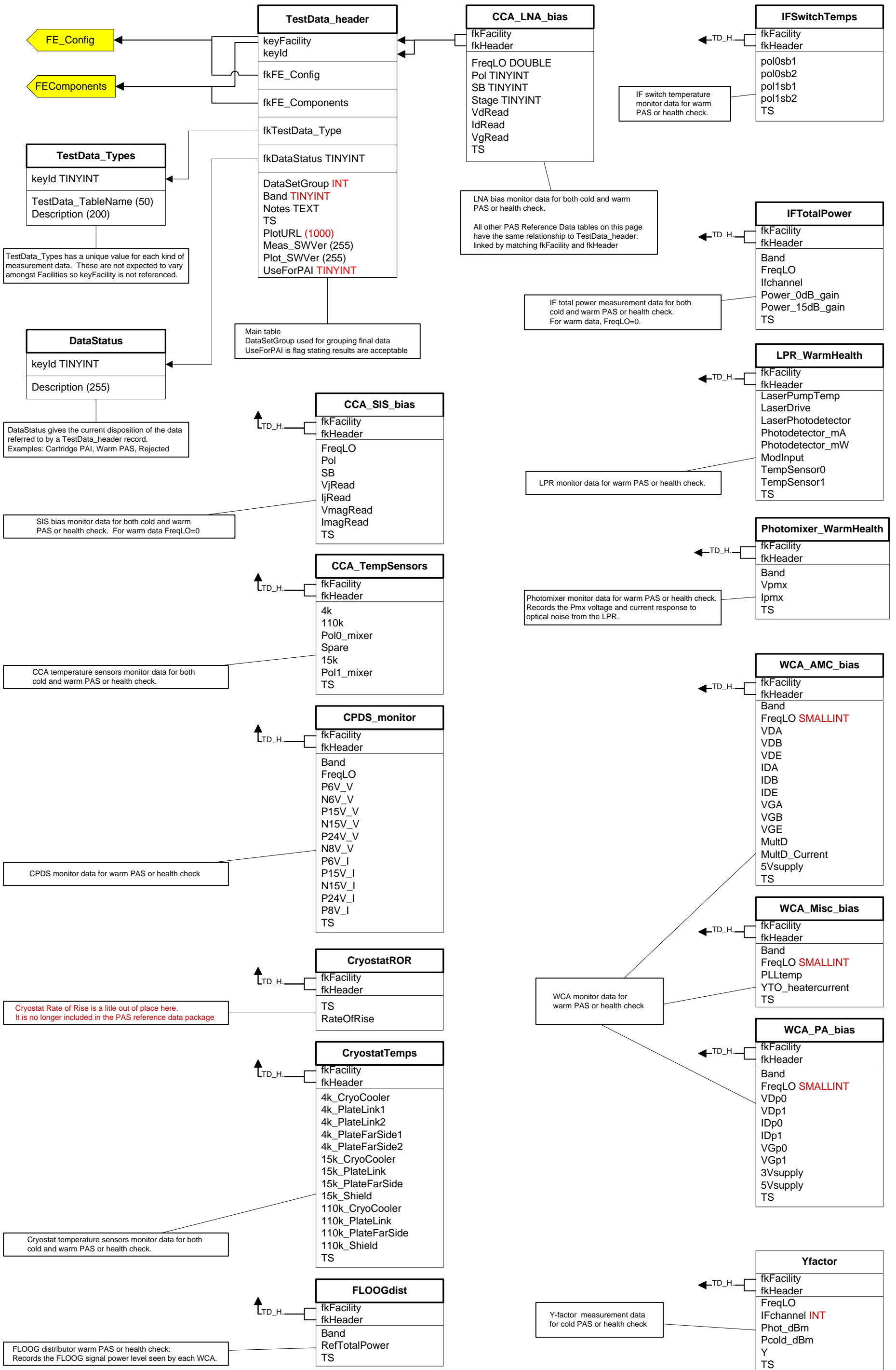


Cartridge Operating Parameters tables

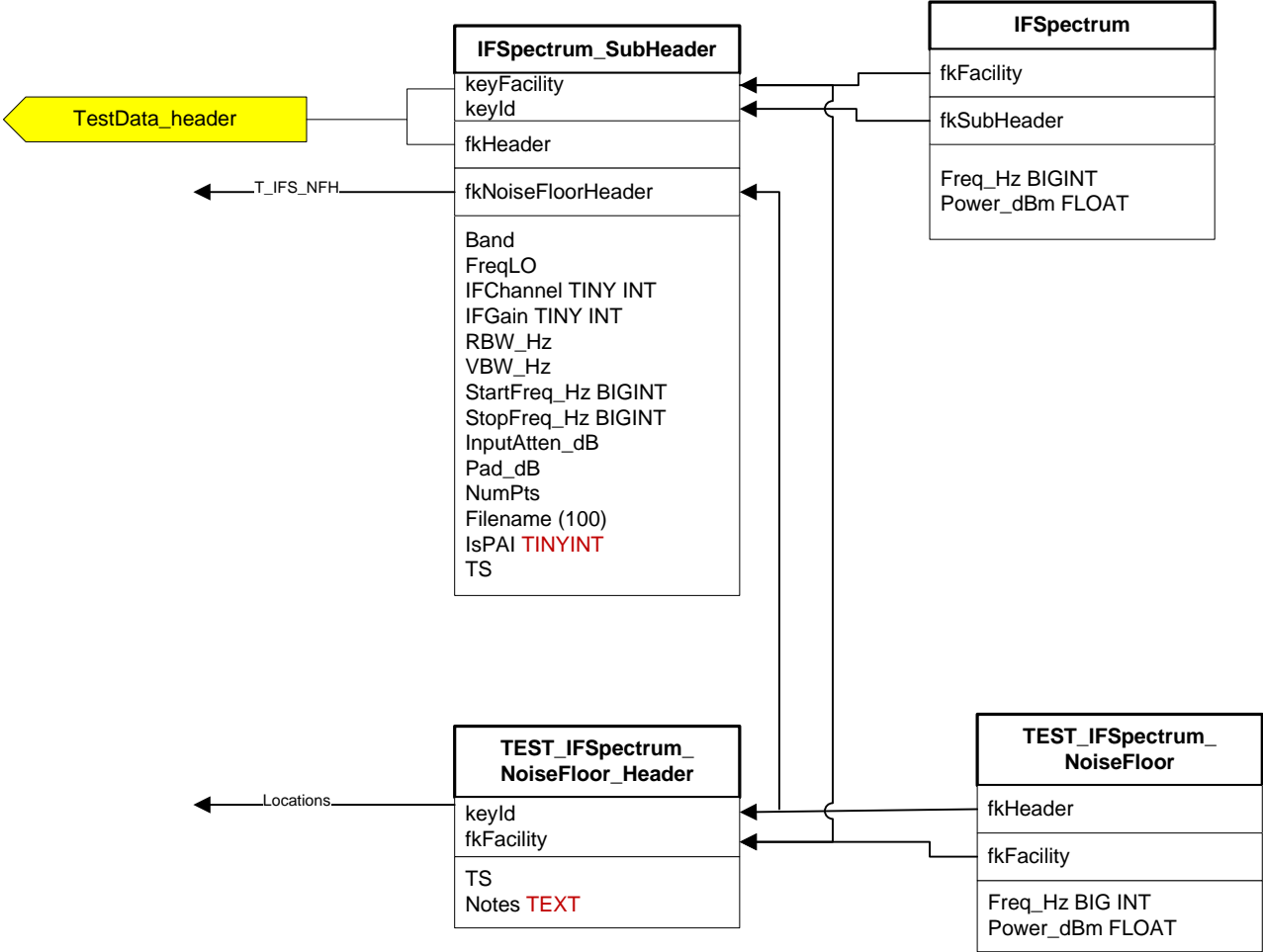


All keyXxx and fkXxx are INT or TINYINT.
 All keyFacility and fkFacility refer to records in the Locations table.
 All keyFacility are part of each table's primary key.
 Band, Pol, SB, and Stage are TINYINT
 Strings are VARCHAR with size shown in parentheses.
 Some strings are TEXT.
 Docs are links and should be VARCHAR(512).
 All TS are TIMESTAMP.

Test Data Header and PAS Reference Data tables



IF Spectrum Data tables for Front End PAI



TEST_IFSpectrum_PowerVarFullBand	
fkSubHeader	
fkFacility	
Power_dBm	FLOAT
TS	

This table contains the full IF band power variation for the referenced IF Spectrum SubHeader

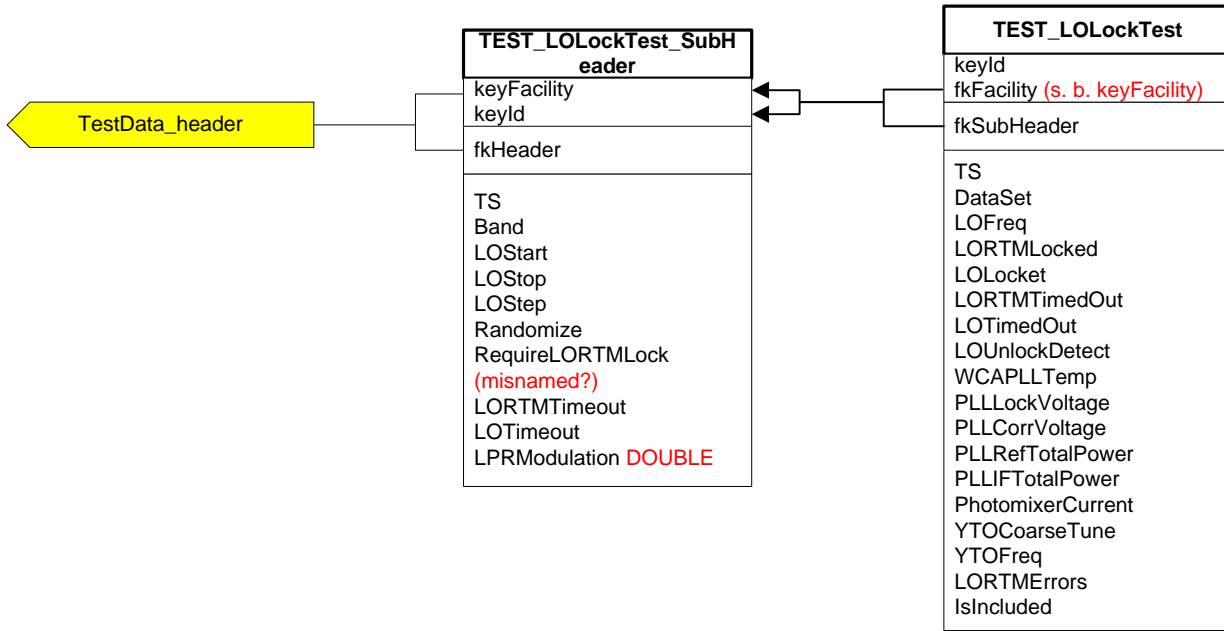
TEST_IFSpectrum_TotalPower	
keyId	
fkSubHeader	
fkFacility	
TotalPower	FLOAT
InBandPower	FLOAT
FullBandPower	not used
MaxPower	not used
TS	

This table contains the total and in-band power for the referenced IF Spectrum SubHeader
 What is FullBandPower, what is MaxPower
 They are not used and need to be dropped.

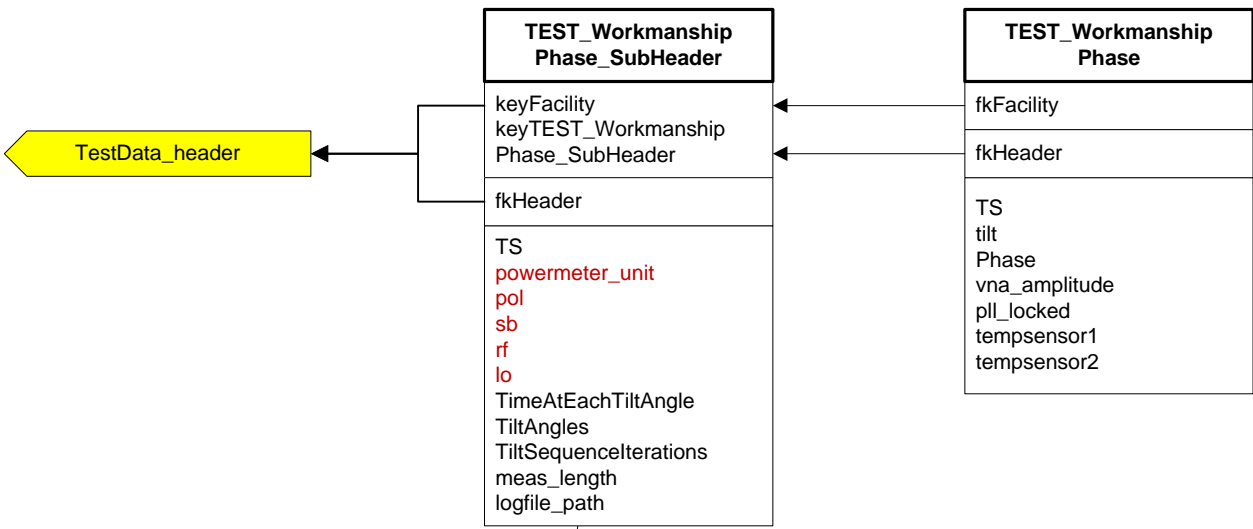
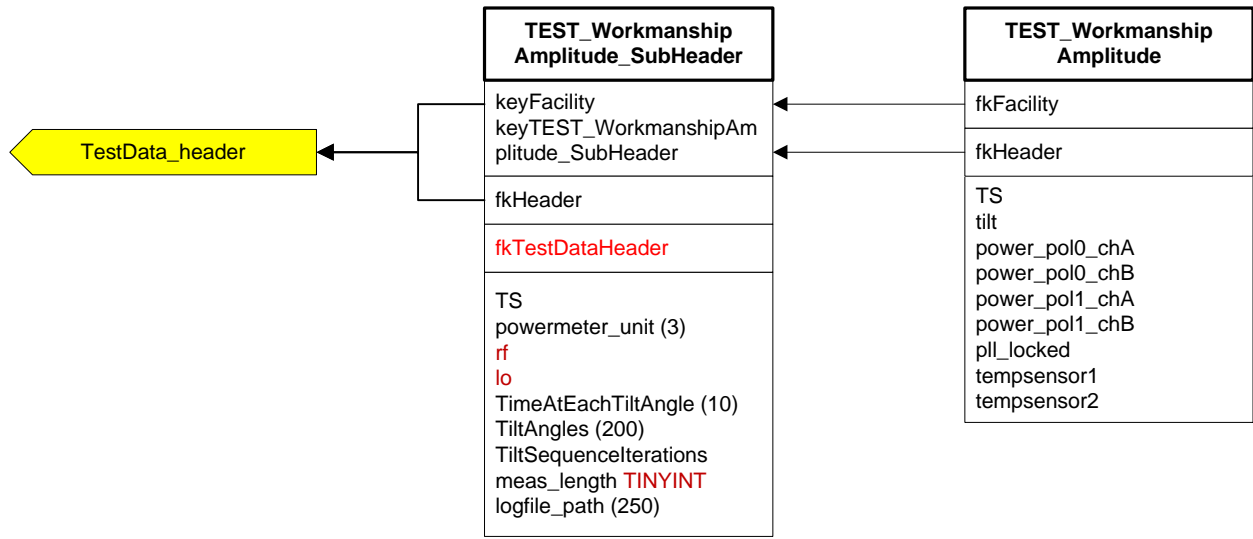
TEST_IFSpectrum_urls	
keyId	
fkHeader	
fkFacility	
Band	TINYINT
IFChannel	TINYINT
IFGain	TINYINT
spurious_url	(250)
spurious_url2	(250)
spurious_url2d	(250)
spurious_url2d2	(250)
powervar_31MHz_url	
powervar_2GHz_url	
TS	

This table contains links to plots for the referenced IF Spectrum SubHeader record.
 Band, IFChannel, and IFGain are duplicated from the SubHeader.
 Code will need to be checked and modified if necessary prior to dropping these fields.

LO Lock Test Data tables for Front End PAI



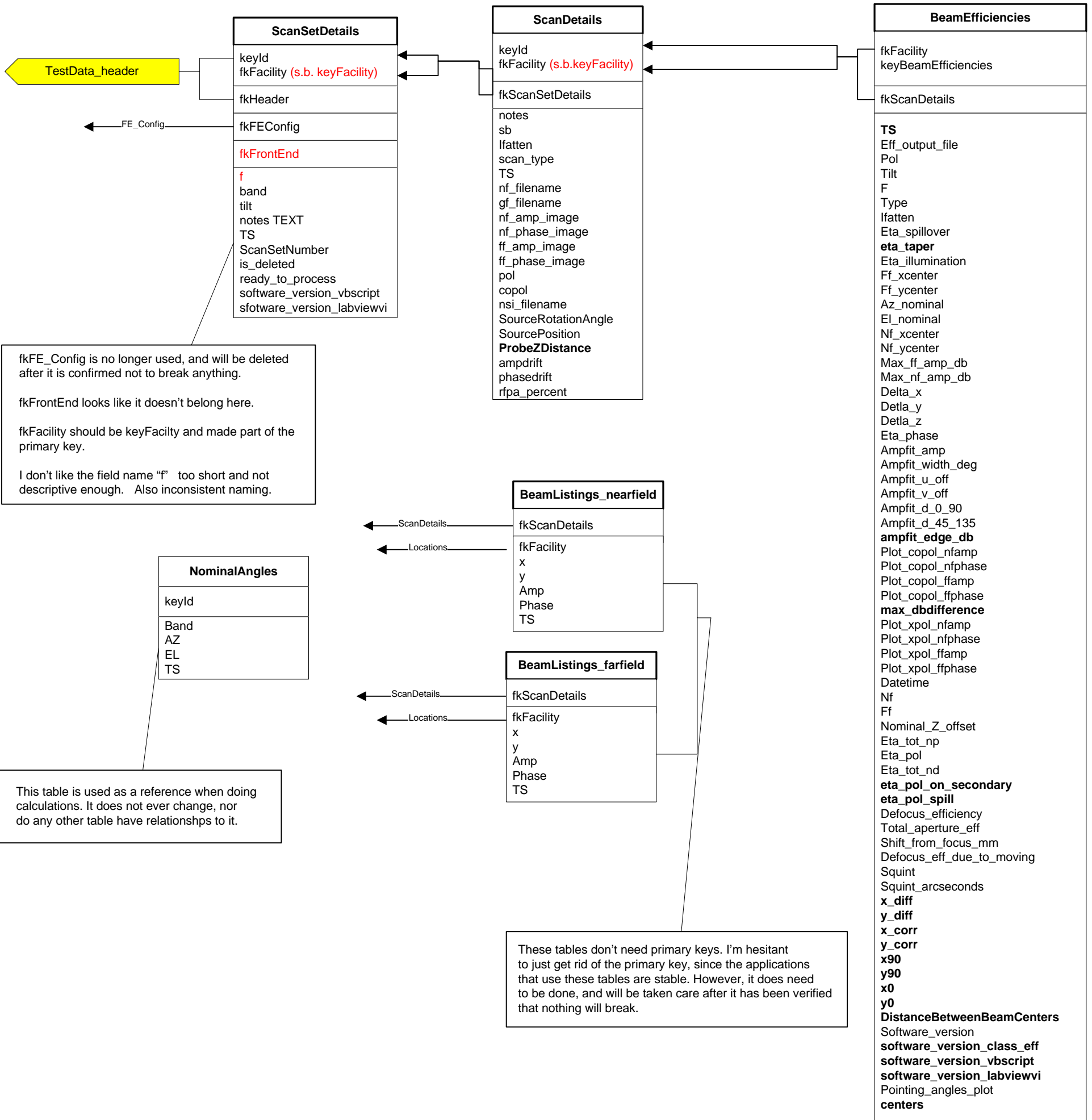
Amplitude and Phase Stability data tables for Front End PAI



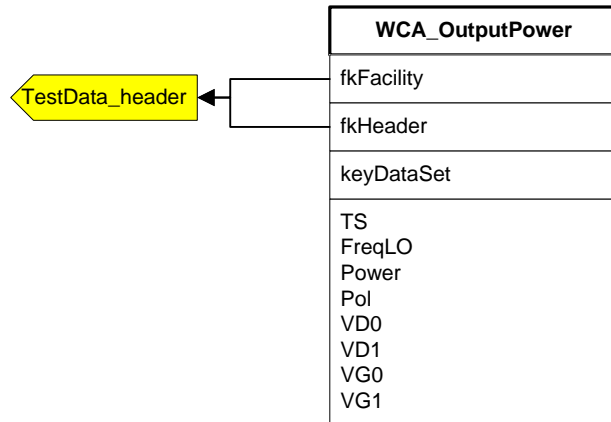
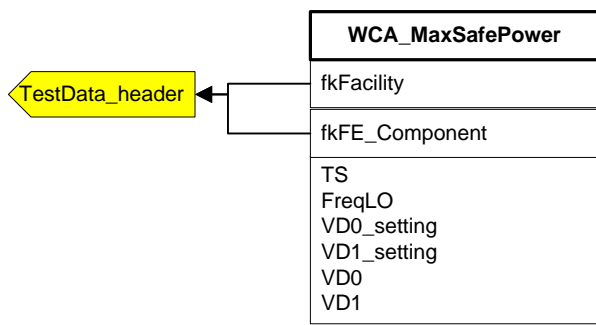
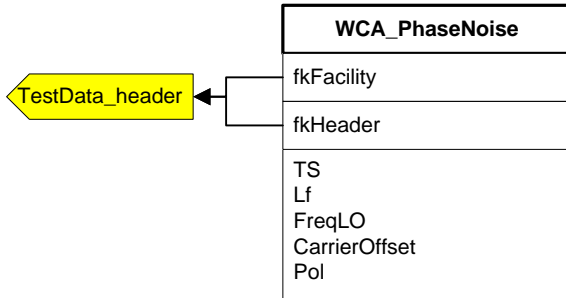
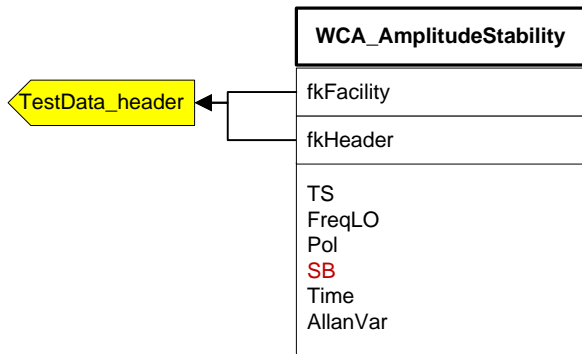
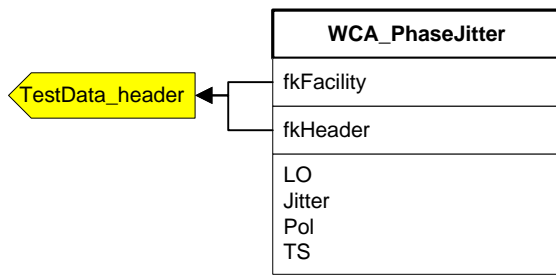
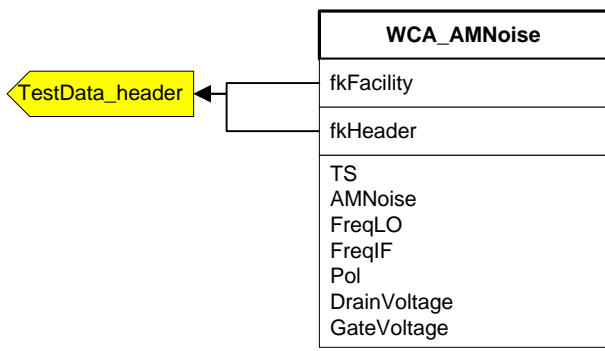
I don't like the short lowercase field names. Let's try to be consistent with field names across the DB. This can be changed. These tables aren't currently being populated by the automated tests, so we can rename these.

Amplitude stability raw data will not be stored. Phase stability raw data may be stored at a future time. Possibly Allan deviation plots could be stored instead of raw data, similar to how we receive such plots with the CCA data sets.

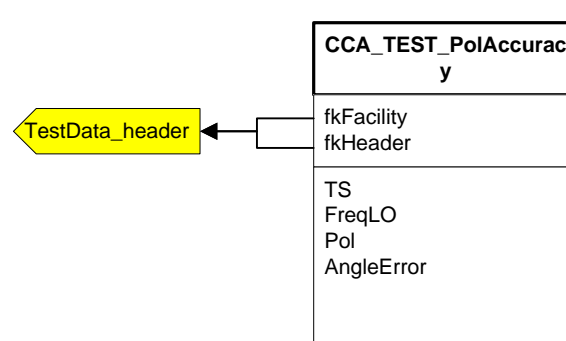
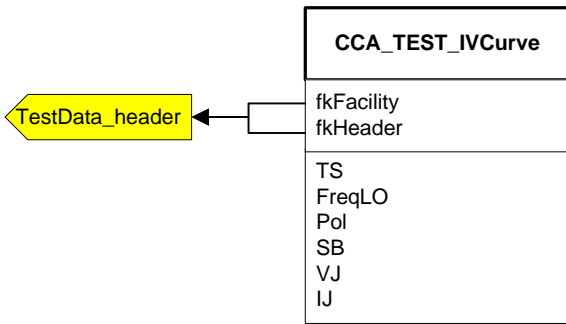
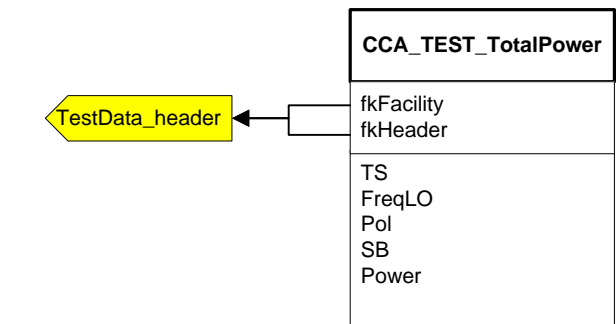
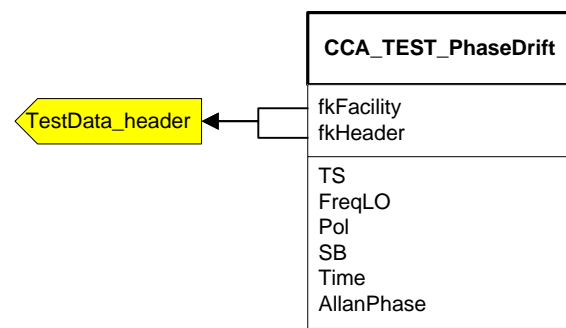
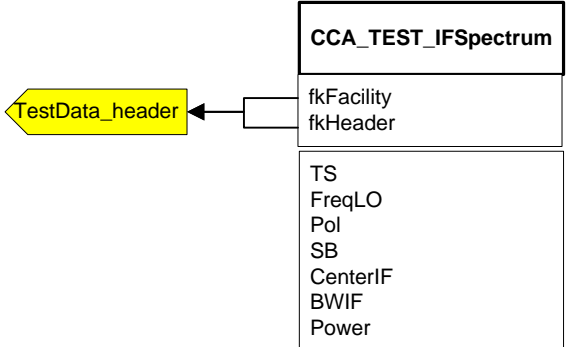
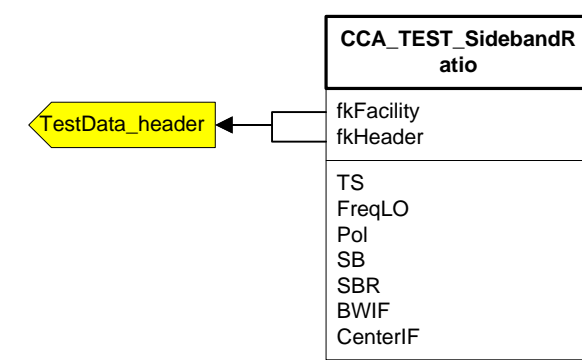
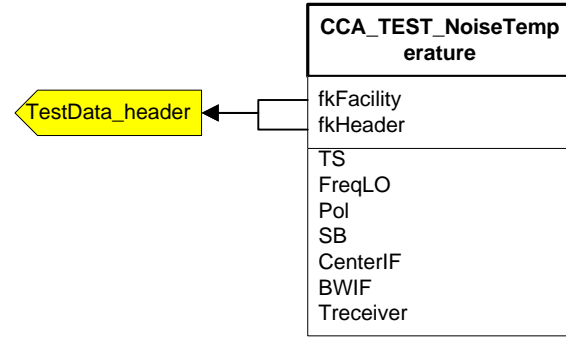
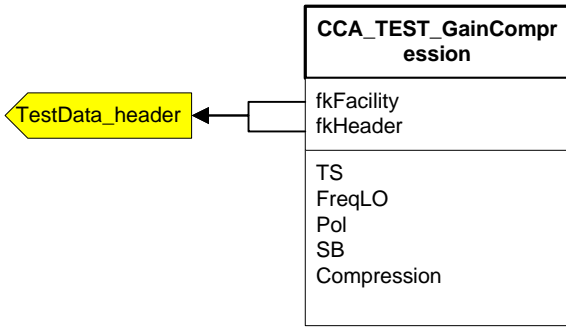
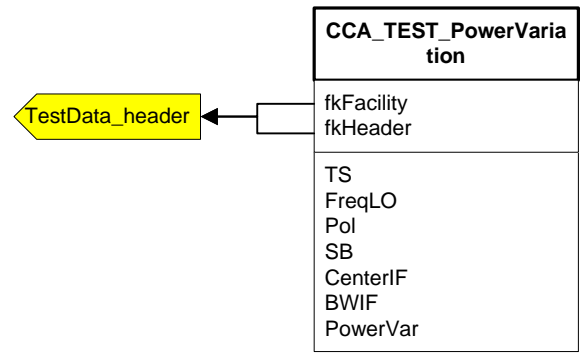
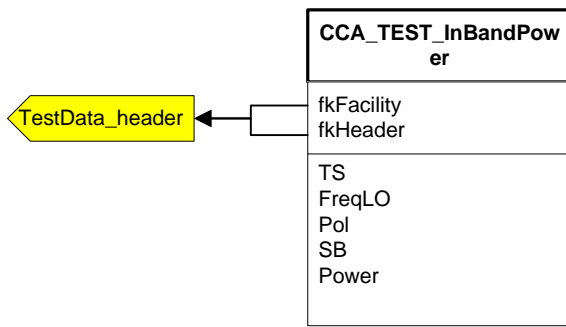
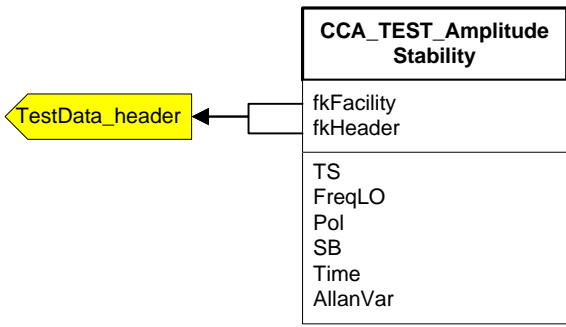
Beam Pattern and Efficiency data tables for Front End PAI



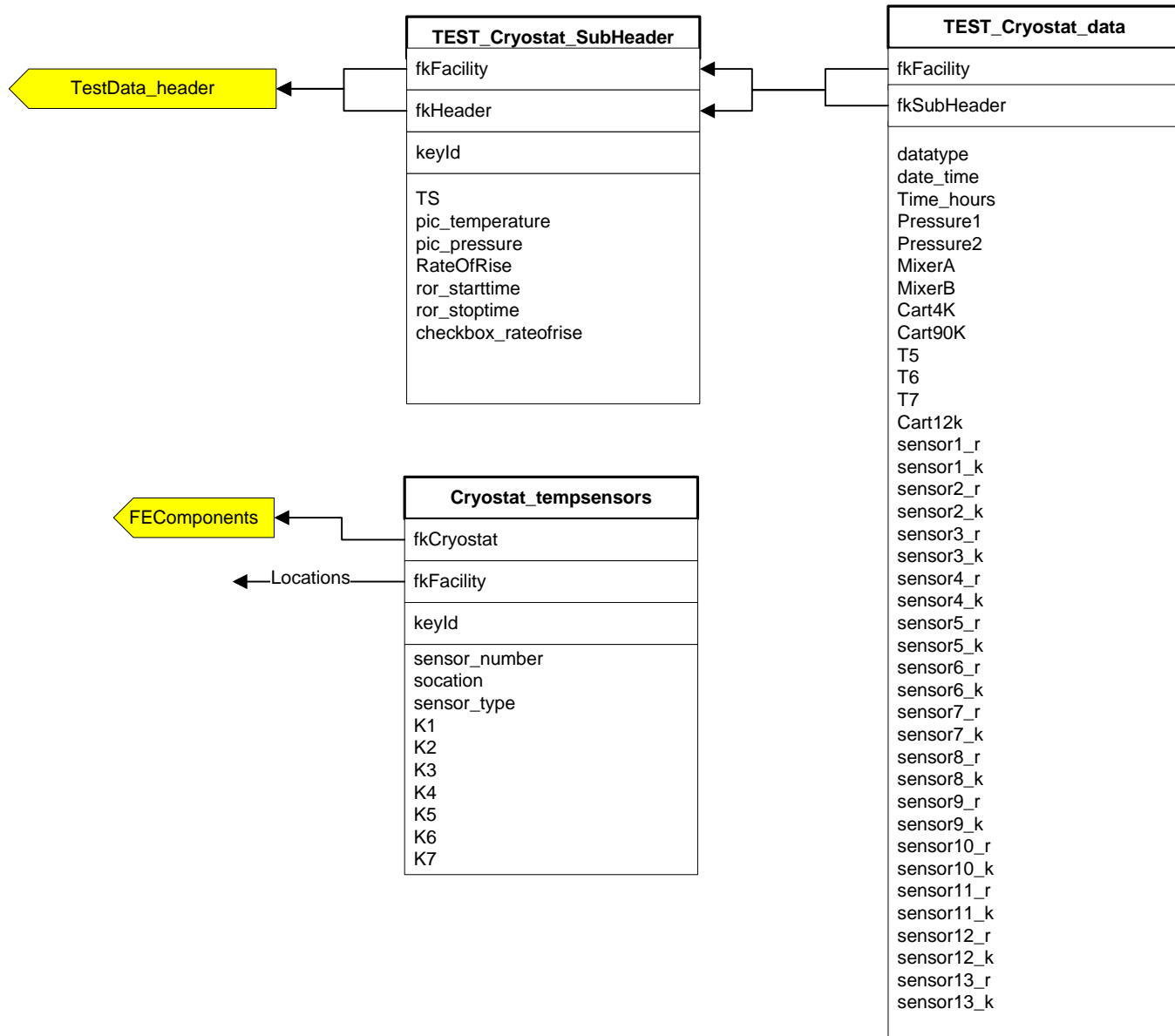
WCA PAI Data tables: data delivered by the LO group



Cold Cartridge PAI data tables: delivered by the cold cartridge groups



Cryostat PAS and PAI data tables



2010-10-21 dn created Initial version.

2010-11-23 dn major update after cleaning db.

2011-03-23 Modified test data tables in "Test Data Cont." tab. Added CCA tab. -JDC

2011-04-27 dn: Added missing tables and fields. Deleted page "options" .

2011-08-10 MM formatted for 11x17 prior to DB refactoring

2011-08-31 MM completely reworked most of the schema. Still the last few tabs to update.

2012-01-11 MM updated to current state of database.

2015-12-09 MM updated with new/missing fields in BeamEfficiencies and ScanDetails

2017-08-15 jee added DataSetGroup to TestData_Header

<copy and modify this for the next note>
